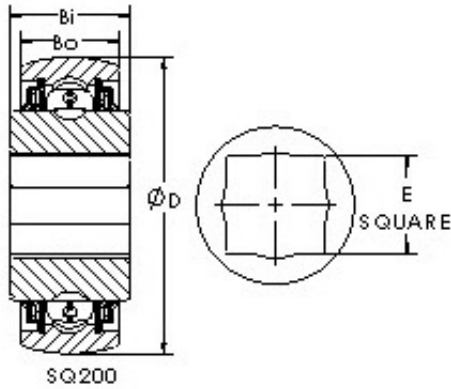




## Thk Environmental Axis.



### AST SQ208-100X Cojinetes de bolas profundas

Bearing No. SQ208-100X

Outer Diameter	80 mm
Bearing Type	Spherical OD
Outer Dia (D)	3.1496
Outer Width (Bo)	1.1875
Inner Width (Bi)	1.4370
Square Hole Size (E)	1.03
Shaft Size (ds)	1" SQ
Weight (g)	850.00

SQ208-100X Bearing 2D drawings and 3D CAD models