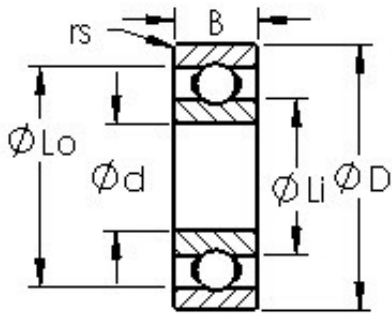




Thk Environmental Axis.



AST 6012 Cojinetes de bolas profundas

Bearing No. 6012

Size	60x95x18 mm
Bore Diameter	60 mm
Outer Diameter	95 mm
Width	18 mm
Bearing Type	Open
Bore Dia (d)	60.0000
Outer Dia (D)	95.0000
Width (B)	18.0000
Radius (min) (rs)	1.100
Dynamic Load Rating (Cr)	29,400
Static Load Rating (Cor)	23,200
Max Speed (Grease) (X1000 RPM)	7
Max Speed (Oil) (X1000 RPM)	9
Max. Shaft Shoulder Dia. Inner (Li)	69.0
Min. Housing Shoulder Dia., Outer (Lo)	88.5
Ball Qty	14
Ball Dia (Dw)	10.3190
Weight (g)	403.00
Precision	A1
Standard Clearance	C0
Material	52100 Chrome steel (or equivalent)

6012 Bearing 2D drawings and 3D CAD models