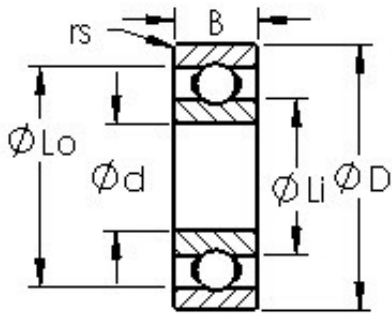




Thk Environmental Axis.



R3A Bearing 2D drawings and 3D CAD models

AST R3A Cojinetes de bolas profundas

Bearing No. R3A

Bore Diameter	4,7625 mm
Outer Diameter	15,875 mm
Width	4,9784 mm
Bearing Type	Open
Bore Dia (d)	0.1875
Outer Dia (D)	0.6250
Width (B)	0.1960
Radius (min) (rs)	0.002
Dynamic Load Rating (Cr)	333
Static Load Rating (Cor)	131
Max Speed (Grease) (X1000 RPM)	38
Max Speed (Oil) (X1000 RPM)	45
Max. Shaft Shoulder Dia. Inner (Li)	0.4
Min. Housing Shoulder Dia., Outer (Lo)	0.5
Ball Qty	8
Ball Dia (Dw)	0.0937
Weight (g)	4.75
Precision	A1
Standard Clearance	K25
Material	52100 Chrome steel (or equivalent)