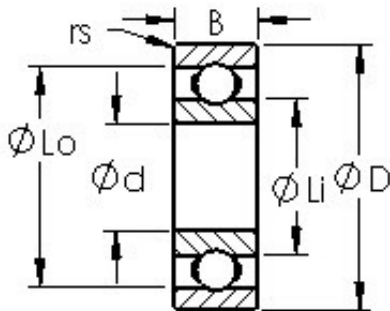




Thk Environmental Axis.



AST 6006 Cojinetes de bolas profundas

Bearing No. 6006

Size	30x55x13 mm
Bore Diameter	30 mm
Outer Diameter	55 mm
Width	13 mm
Bearing Type	Open
Bore Dia (d)	30.0000
Outer Dia (D)	55.0000
Width (B)	13.0000
Radius (min) (rs)	1.000
Dynamic Load Rating (Cr)	13,200
Static Load Rating (Cor)	8,250
Max Speed (Grease) (X1000 RPM)	13
Max Speed (Oil) (X1000 RPM)	15
Max. Shaft Shoulder Dia. Inner (Li)	38.0
Min. Housing Shoulder Dia., Outer (Lo)	47.3
Ball Qty	11
Ball Dia (Dw)	7.1440
Weight (g)	116.00
Precision	A1
Standard Clearance	C0
Material	52100 Chrome Steel or equivalent

6006 Bearing 2D drawings and 3D CAD models