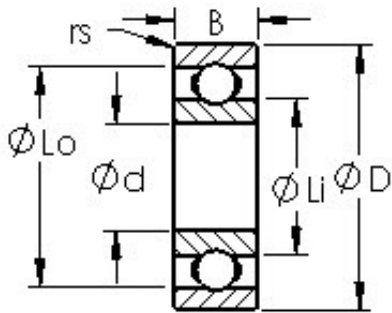




Thk Environmental Axis.



6009 Bearing 2D drawings and 3D CAD models

AST 6009 Cojinetes de bolas profundas

Bearing No. 6009

Size	45x75x16 mm
Bore Diameter	45 mm
Outer Diameter	75 mm
Width	16 mm
Bearing Type	Open
Bore Dia (d)	45.0000
Outer Dia (D)	75.0000
Width (B)	16.0000
Radius (min) (rs)	1.000
Dynamic Load Rating (Cr)	21,000
Static Load Rating (Cor)	15,100
Max Speed (Grease) (X1000 RPM)	9
Max Speed (Oil) (X1000 RPM)	11
Max. Shaft Shoulder Dia. Inner (Li)	54.5
Min. Housing Shoulder Dia., Outer (Lo)	65.8
Ball Qty	12
Ball Dia (Dw)	8.7310
Weight (g)	245.00
Precision	A1
Standard Clearance	C0
Material	52100 Chrome steel (or equivalent)