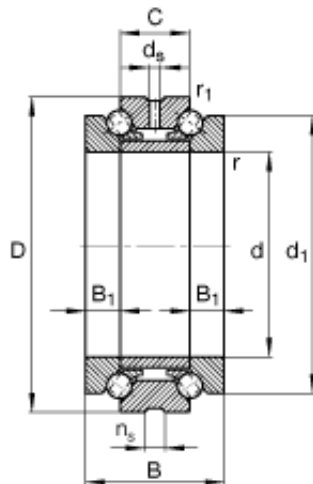




## Thk Environmental Axis.



### 248 mm x 360 mm x 144 mm FAG 234748-M-SP Cojinetes De Bola

Bearing No. 234748-M-SP

234748-M-SP Bearing 2D drawings and 3D CAD models

Size	248x360x144 mm
Bore Diameter	248 mm
Outer Diameter	360 mm
Width	144 mm
d	248 mm
D	360 mm
B	144 mm
B <sub>1</sub>	36 mm
C	72 mm
D <sub>a</sub>	338 mm / Tolerance: H12
d <sub>1</sub>	322 mm
d <sub>a</sub>	289 mm / Tolerance: h12
d <sub>s</sub>	9,5 mm
n <sub>s</sub>	17,7 mm
r <sub>1 min</sub>	1,1 mm
r <sub>a max</sub>	3 mm
r <sub>a1 max</sub>	1 mm
r <sub>min</sub>	3 mm
	60 ° / Angle
m	37,2 kg / Weight
C <sub>a</sub>	350000 N / Dynamic load rating (axial)
C <sub>0a</sub>	1420000 N / Static load rating (axial)



## Thk Environmental Axis.

$n_{G\text{ Fett}}$	1500 1/min / Limiting speed for grease lubrication
$n_{G\text{ Oil}}$	2000 1/min / Limiting speed for minimal quantity oil lubrication