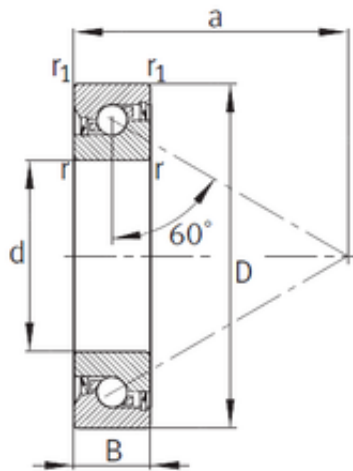




Thk Environmental Axis.



40 mm x 72 mm x 15 mm FAG BSB040072-2RS-T Cojinetes De Bola

Bearing No. BSB040072-2RS-T

Size	40x72x15 mm
Bore Diameter	40 mm
Outer Diameter	72 mm
Width	15 mm
d	40 mm
D	72 mm
B	15 mm
C	15 mm
Angle (°)	60 °
a	56 mm
r min.	1 mm
r1 min.	1 mm
Da	62,5 mm
da	49 mm
Weight	0,26 Kg
Basic dynamic load rating (C)	29,5 kN
Basic static load rating (C0)	82 kN

BSB040072-2RS-T Bearing 2D drawings and 3D CAD models