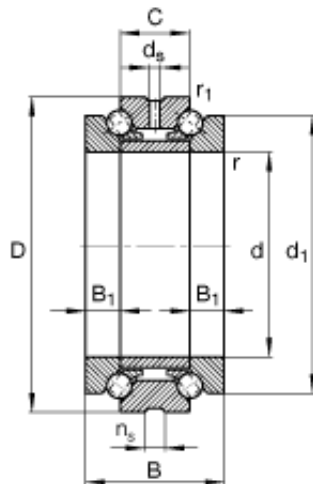




## Thk Environmental Axis.



### 220 mm x 340 mm x 144 mm FAG 234444-M-SP Cojinetes De Bola

Bearing No. 234444-M-SP

234444-M-SP Bearing 2D drawings and 3D CAD models

Size	220x340x144 mm
Bore Diameter	220 mm
Outer Diameter	340 mm
Width	144 mm
d	220 mm
D	340 mm
B	144 mm
B <sub>1</sub>	36 mm
C	72 mm
D <sub>a</sub>	318 mm / Tolerance: H12
d <sub>1</sub>	304 mm
d <sub>a</sub>	269 mm / Tolerance: h12
d <sub>s</sub>	9,5 mm
n <sub>s</sub>	17,7 mm
r <sub>1 min</sub>	1,1 mm
r <sub>a max</sub>	2,5 mm
r <sub>a1 max</sub>	1 mm
r <sub>min</sub>	3 mm
	60 ° / Angle
m	36,9 kg / Weight
C <sub>a</sub>	340000 N / Dynamic load rating (axial)
C <sub>0a</sub>	1330000 N / Static load rating (axial)



## Thk Environmental Axis.

$n_{G\text{ Fett}}$	1600 1/min / Limiting speed for grease lubrication
$n_{G\text{ Oil}}$	2200 1/min / Limiting speed for minimal quantity oil lubrication