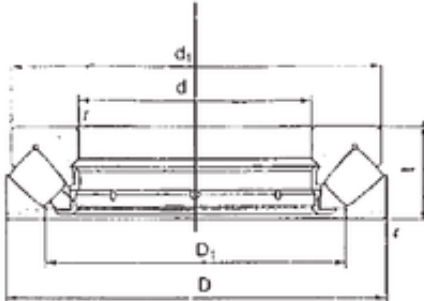




Thk Environmental Axis.

FBJ 29416M Rodamientos Axiales De Rodillos



Bearing No. 29416M

Size	80x170x54 mm
Bore Diameter	80 mm
Outer Diameter	170 mm
Width	54 mm
d	80 mm
D	170 mm
T	54 mm
d1	149 mm
r min.	2,1 mm
D1	113 mm
Weight	6,09 Kg
Basic dynamic load rating (C)	460 kN
Basic static load rating (C0)	1380 kN

29416M Bearing 2D drawings and 3D CAD models