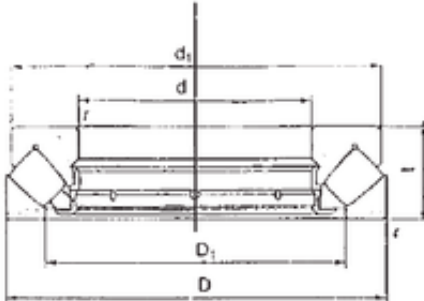




Thk Environmental Axis.

FBJ 29320M Rodamientos Axiales De Rodillos



Bearing No. 29320M

Size	100x170x42 mm
Bore Diameter	100 mm
Outer Diameter	170 mm
Width	42 mm
d	100 mm
D	170 mm
T	42 mm
d1	146,9 mm
r min.	1,5 mm
D1	126 mm
Weight	3,37 Kg
Basic dynamic load rating (C)	415 kN
Basic static load rating (C0)	1370 kN

29320M Bearing 2D drawings and 3D CAD models